



# HOLDER TRIPOD STAND

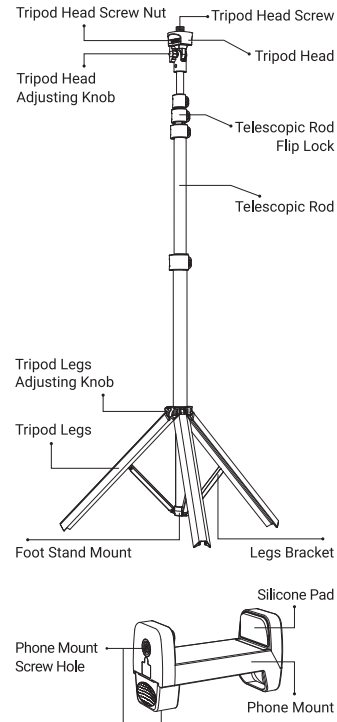
MAKE YOUR LIFE SIMPLE

## Specifications

Product Name	Tripod Stand
Model	PDUZ57
Compatible Devices	All Cell Phones, Lightweight Camera
Package List	Tripod Stand x1, Phone Mount x1, Remote Control x1, Storage Bag x1, User Guide x1

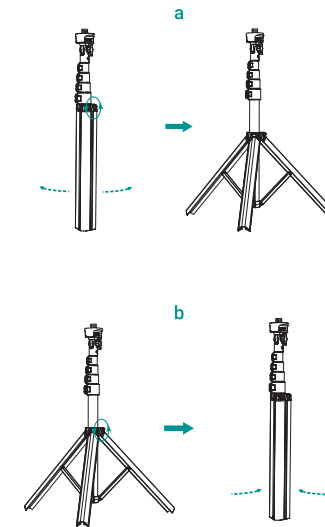
The parameters above are derived from the laboratory of VICSEED. The actual parameters may differ from product to product or other factors. All images shown here are for reference only.

## Overview

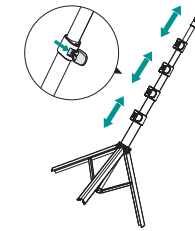


## Instructions

- Expansion and folding of the tripod legs
  - If the tripod legs adjusting knob is loosened, press down on the tripod to the desired angle (the larger the opening angle is, the more stable it will be), and then lock the knob to make it firmly supported on a flat surface.
  - If the tripod legs adjusting knob is unfolded, loosen the knob to fold it.

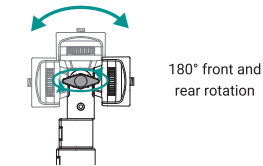


- Unfolding and retraction of the telescopic rod
  - Pull the telescopic rod flip lock, stretch the telescopic rod to the desired height, and then press the flip lock, it is expanded.
  - When the telescopic rod is unfolded, pull the telescopic rod flip lock, and then retract the telescopic rod, it is folded.



- Adjust the angle of the tripod head
 

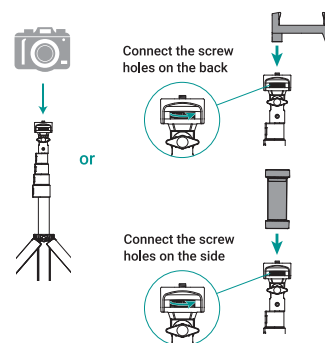
Loosen the tripod head adjusting knob, rotate the tripod head to a suitable angle, and then tighten the knob to fix the tripod head.



VDPI01088A

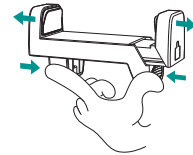
## 4. Install the camera/phone mount

Align the camera's screw hole/cell phone mount screw hole with the tripod head screw, and then rotate and tighten tripod head screw knob to fix the camera/cell phone mount (the cell phone mount has 2 screw holes, which can be connected to the tripod head screw as shown in the figure, so you can position your phone in landscape mode or portrait mode).



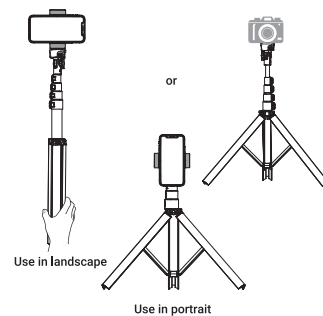
## 5. Put in the phone

Pinch the back of the phone mount as shown to open it, then put in your phone (Release the hand to lock), and it can fit different sizes of phone.

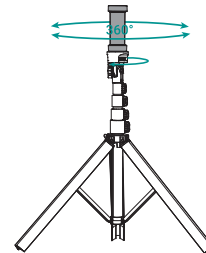


## 6. Take photos

Open your camera/phone camera App, focus on the target, you can take pictures or record videos easily by your phone or remote control.



**Note:** After the camera/ phone mount is connected with the tripod head screw, you can also adjust its angle at will by swiveling the tripod head screw knob to attain 360° horizontal rotation.



## Attentions

The remote control equipped with this product has a separate instruction manual. When you need to use the remote control, please refer to the separate instruction manual.

- Please read this manual carefully before using the product, and keep it properly for future reference.
- Make sure the screws are tighten when assembling accessories, to avoid parts loosening or device falling during using.

- Please adjust the shooting angle before taking pictures, and do not shake the tripod vigorously when taking pictures, avoid the device dropping.
- When using the tripod outdoors, please pay attention to the wind, and try to put it on a flat place to avoid being blown down by the wind.
- After use, please fold it carefully and watch your hands.
- Do not let the tripod alone when using it in public places.
- Do not disassemble or modify this product by yourself.
- Please keep this product away from children.

## Customer Service

- 12-month limited warranty
- Lifetime technical support
- support@vicseed.com
- www.vicseed.com

Any question, please feel free to contact us. Fix issue within 24 hours.

SCAN THE CODE TO  
WATCH USING VIDEO



SHENZHEN HOMGMI TECHNOLOGY CO., LTD.

Add : RM1503, BLK C, Zhantao Technology BLDG, Minzhi Avenue, Minzhi ST, Longhua DIST, Shenzhen, China

Email : support@vicseed.com  
Web : www.vicseed.com

Shenzhen Homgmi Technology Co., Ltd. All Rights Reserved.

Made in China